

Features

- Kinesis™ technology with concealed sensor allows for a clean aesthetic and provides extraordinarily accurate and reliable actuation in varying installation environments.
- Below-counter valving reduces the faucet footprint.
- Design-forward aesthetic for commercial bathroom spaces.
- 0.5 gal/min (1.9 l/min) flow rate.
- AA battery-powered; up to four-year battery life (approx. 105,000 cycles).
- On-demand usage with 30-second max. continual run cycle to prevent vandalism and save water.
- Vandal-resistant aerator.
- 18" (457 mm) stainless steel braided flexible supply hose for easy installation.
- 5-5/16" (135 mm) spout reach.
- Includes grid drain.
- Includes concealed mechanical mixer.
- Safe Drinking Water Act (low-lead) compliant.

Material

- Metal construction spout.
- Cast brass valve.

Technology

- Kinesis™ sensor technology offers on-demand detection for maximum water savings.

Installation

- Single-hole mounting.
- Includes spout assembly, grid drain, control box assembly, supply hose, mixer and standard mounting hardware.
- Includes four AA batteries.

Optional Products/Accessories

K-13478-A Escutcheon Plate
 K-13478-B Escutcheon Plate
 K-13479-A Escutcheon Plate
 K-13479-B Escutcheon Plate

Included Components

Additional Components:
 K-7129-A Drain
 Mechanical Mixing Tee



ADA **CSA B651** **OBC**

Codes/Standards

ASME A112.18.1/CSA B125.1
 NSF/ANSI 61
 NSF/ANSI 372
 All applicable US Federal and State material regulations
 DOE - Energy Policy Act 1992
 California Energy Commission (CEC)
 ADA
 ICC/ANSI A117.1
 CSA B651
 OBC

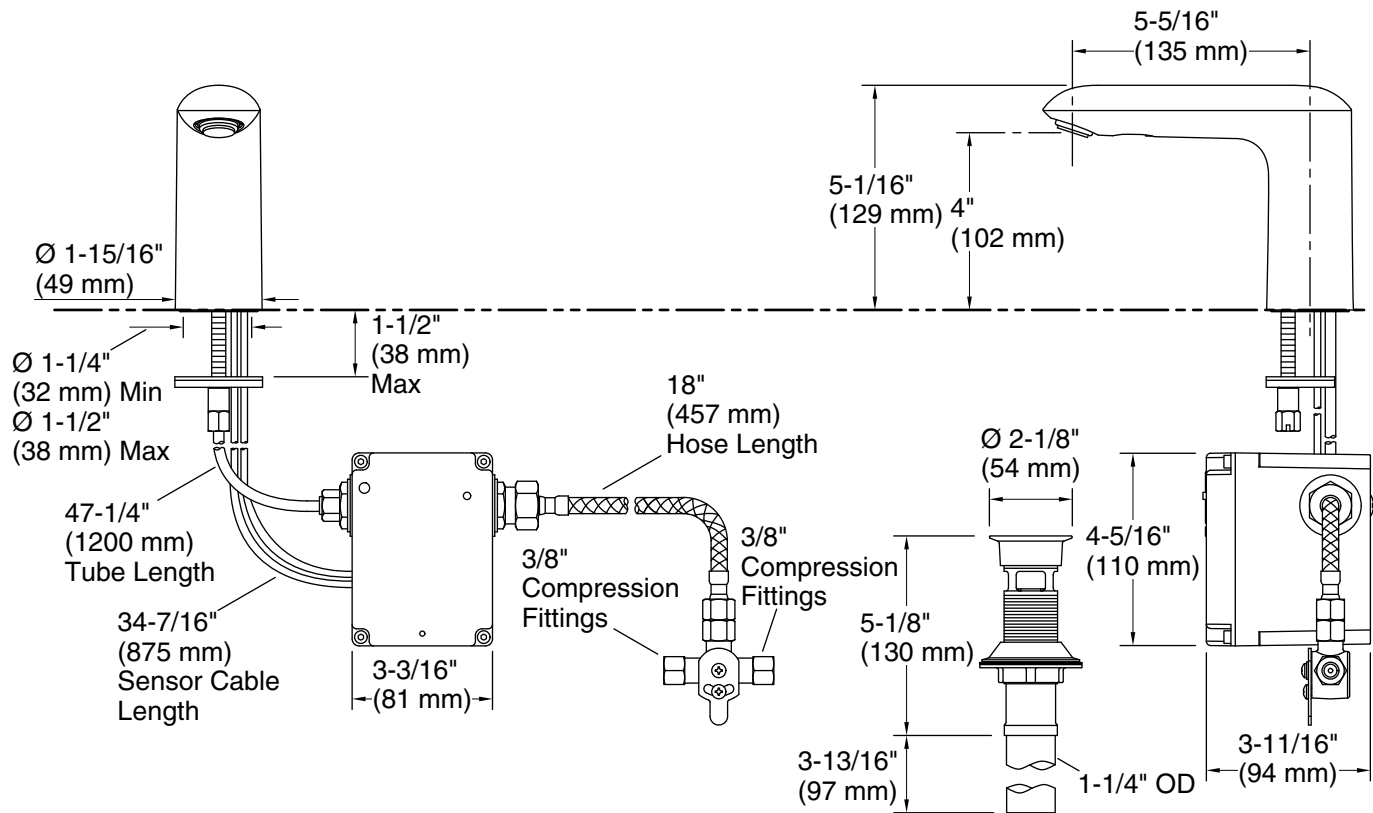
KOHLER® One-Year Limited Warranty

See website for detailed warranty information.

Available Colors/Finishes

Color tiles intended for reference only.

Color	Code	Description
	CP	Polished Chrome



Technical Information

All product dimensions are nominal.

Power source: Battery - DC, included

Faucet:

Flow rate: 0.5 gal/min (1.9 l/min)

Pressure: 60 psi (4.1 bar)

Valve body: Cast brass

Drain included: Yes

Spout:

Spout reach: 5-5/16" (135 mm)

Notes

Install this product according to the installation instructions.

A 1-1/4" (32 mm) minimum to 1-1/2" (38 mm) maximum diameter mounting hole is required.

The minimum distance between the back of the faucet spout and the wall must be 1-3/4" (44 mm). This will allow proper clearance for setscrew access.

The maximum distance between the bathroom sink basin edge to the base of the faucet spout must be 1-3/4" (44 mm).

ADA, OBC, CSA B651 compliant when installed to the specific requirements of these regulations.